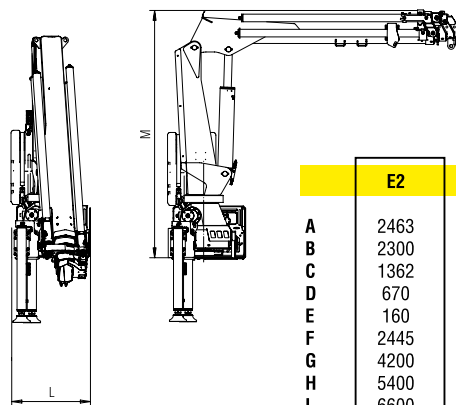
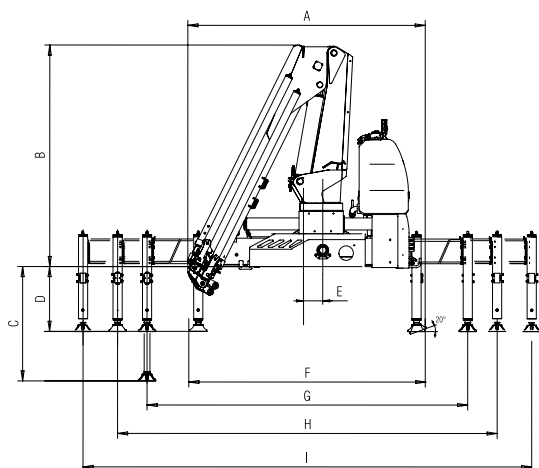


TRUCK-MOUNTED CRANES HT 130 - HT 162



HYVA[®] CRANE

Technical data HT



	E2	E3	E4
A	2463	2463	2463
B	2300	2300	2300
C	1362	1362	1362
D	670	670	670
E	160	160	160
F	2445	2445	2445
G	4200	4200	4200
H	5400	5400	5400
I	6600	6600	6600
L	817	817	817
M	2608	2608	2608

HT130 E2

kg	5190	2975	2080
m	2,53	4,33	6,13

HT130 E3

kg	4970	2835	1960	1470
m	2,61	4,41	6,21	8,19

HT130 E4

E4	4765	2705	1850	1370	1090
m	2,69	4,49	6,29	8,27	10,25

HT162 E2

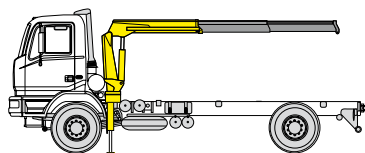
kg	6500	3740	2625
m	2,53	4,33	6,13

HT162 E3

kg	6235	3580	2490	1870
m	2,61	4,41	6,21	8,19

HT162 E4

kg	5940	3405	2345	1740	1390
m	2,69	4,49	6,29	8,27	10,25



Recommended truck **HT130** - M.T.T. ton 12 - G.V.W. ton 12
HT162 - M.T.T. ton 15 - G.V.W. ton 15

Standard

- Cross controls
- Load limit device
- Flanged valves
- Designed in accordance with EN12999
- Design class: HC1-HD4
- Oil tank
- Manually extendable stabilizers
- Internal stabilizers pipes
- Fixed stabilizer cylinders
- Swivel stabilizer foot
- Centralized greasing system
- SDS Smooth Descent System
- H3XL Crane control system (CE)

	Lift Moment	Slewing Angle	Working pressure	Oil tank capacity	Max Oil flow	Max lifting height	Standard crane weight
	tm	°	bar	l	l/min	m	kg
HT130							
E2	13,1	425	285	130	60	9,8	1485
E3	13,0	425	285	130	60	11,8	1585
E4	12,8	425	285	130	60	13,8	1675
HT162							
E2	16,4	425	290	130	60	9,8	1610
E3	16,3	425	290	130	60	11,8	1720
E4	16,0	425	290	130	60	13,8	1810

HYVA CRANE

HYVA Holding B.V.
 Antonie van Leeuwenhoekweg 37
 2408 AK Alphen aan den Rijn
 The Netherlands
 Telephone: (31)172 - 42 35 55
 Telefax: (31)172 - 42 08 80
 info@hyva.com
 www.hyva.com
 www.hyvacrane.com



Dealer